

**EFORT**

# ESR30-1000Z42

**ESR30-1000Z42,**  
Maxium payload 30 kg with maxium reach 1000 mm.

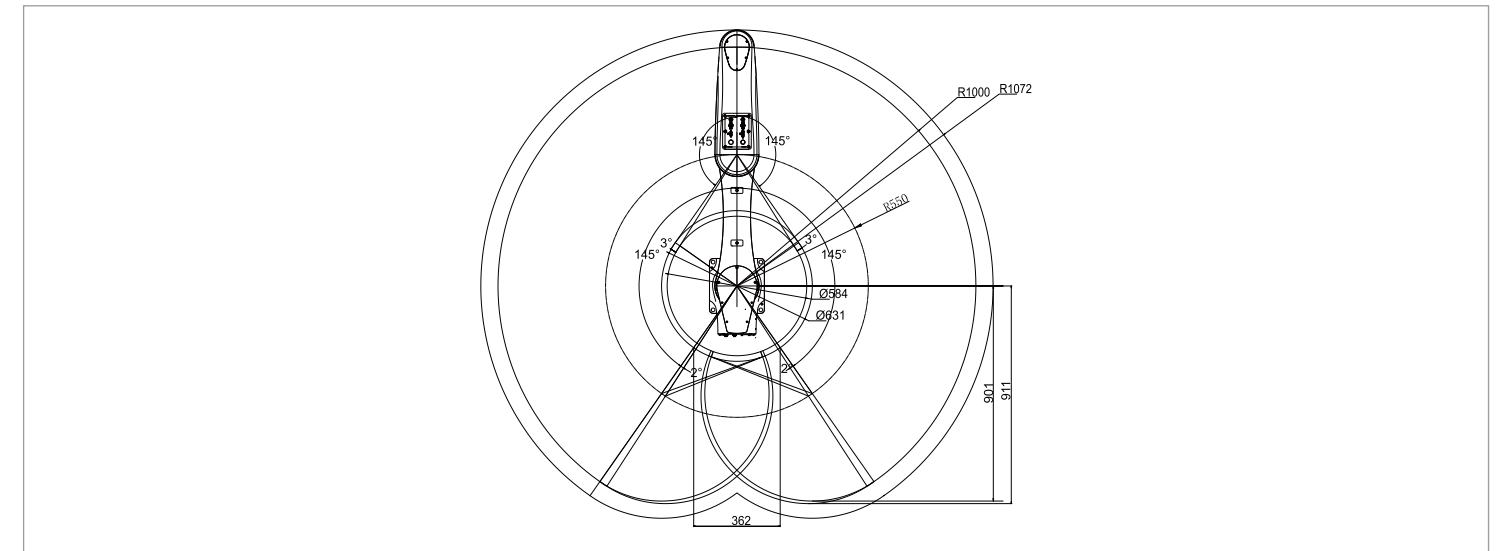
- Highlights**
  1. High rhythm and high precision  
The fastest standard cycle time can reach 0.38 s, and the robot positioning accuracy can reach 0.025 mm.
  2. High rigidity and low vibration  
Robot body mode and rigidity enhancement, combined with vibration suppression and active vibration suppression functions, effectively reduce vibration.
  3. Easy to maintain and scalable  
The detachable structure of cables and batteries allows for the replacement of robots inside the device.
- Applications**  
It can be used in handling, sorting, assembly, etc.
- Industries**  
Suitable for industries such as lithium batteries, automotive electronics, and photovoltaics.



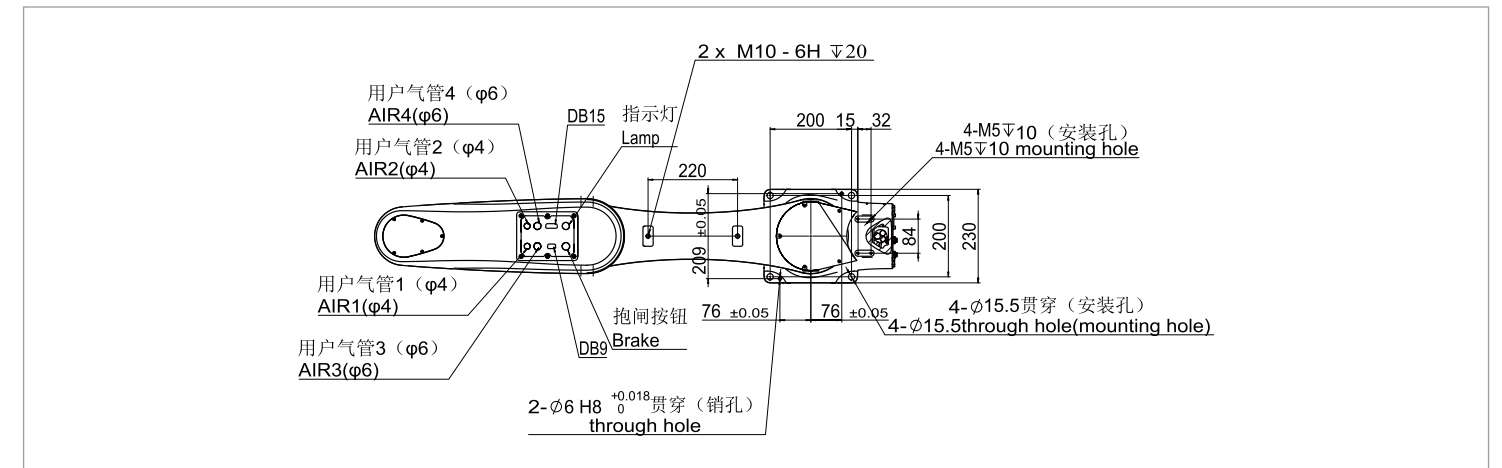
## SPECIFICATIONS

<b>Model</b>		ESR30-1000Z42
<b>Reach</b>		1000 mm
<b>Max. payload on wrist</b>	Rated	10 kg
	Maximum	30 kg
<b>Robot weight</b>		72 kg
<b>Maximum speed</b>	J1+J2	10300 mm/sec
	J3	1100 mm/sec
	J4	600°/sec
<b>Motion range</b>	J1	±145°
	J2	±145°
	J3	420 mm
	J4	±360°
<b>Repeatability</b>	J1+J2	±0.025 mm
	J3	±0.01 mm
	J4	±0.01°
<b>Standard cycle time</b>		0.38 s
<b>J4 allowable moment of inertia</b>	Rated	0.5 kg·m <sup>2</sup>
	Maximum	1 kg·m <sup>2</sup>
<b>Electric lines</b>		D-Sub 9-Pin+15-Pin
<b>Pneumatic lines</b>		φ4 mmx2, φ6 mmx2
<b>J3 downward force</b>		400 N
<b>Installation</b>		Floor
<b>Installation enviroment</b>	Ambient temperature	5~40°C
	Ambient humidity	RH≤80% (No dew nor frost allowed)

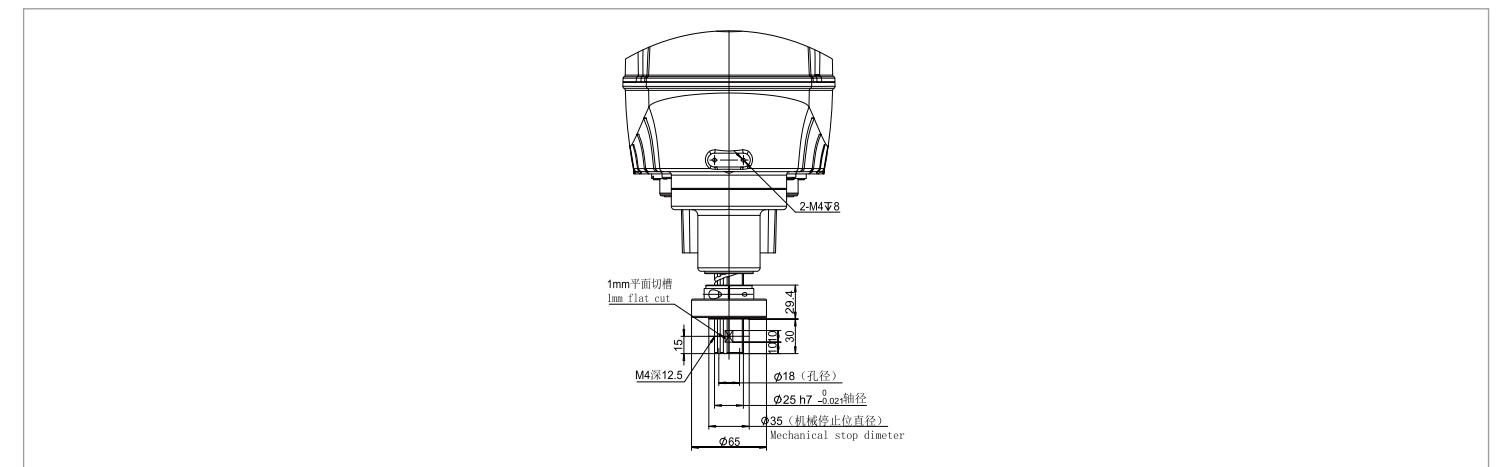
## OPERATING SPACE



## BASE MOUNTING SIZE



## END FLANGE MOUNTING SIZE



Information Release Time 2025/02

PHONE: (00 86) 400-052-8877  
ADDRESS: No.96 East Wanchun Road, China(Anhui) Pilot  
Free Trade Zone Wuhu Area, Wuhu, Anhui Province, China  
WWW.EFORT.COM.CN

**EFORT Intelligent Equipment Co., Ltd.**