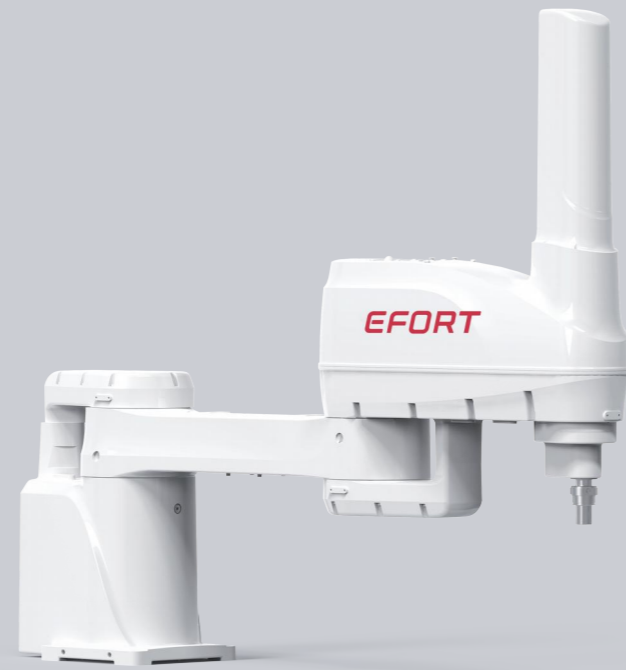


EFORT

ESR20-1000Z42

ESR20-1000Z42,
Maxium payload 20 kg with maxium reach 1000 mm.

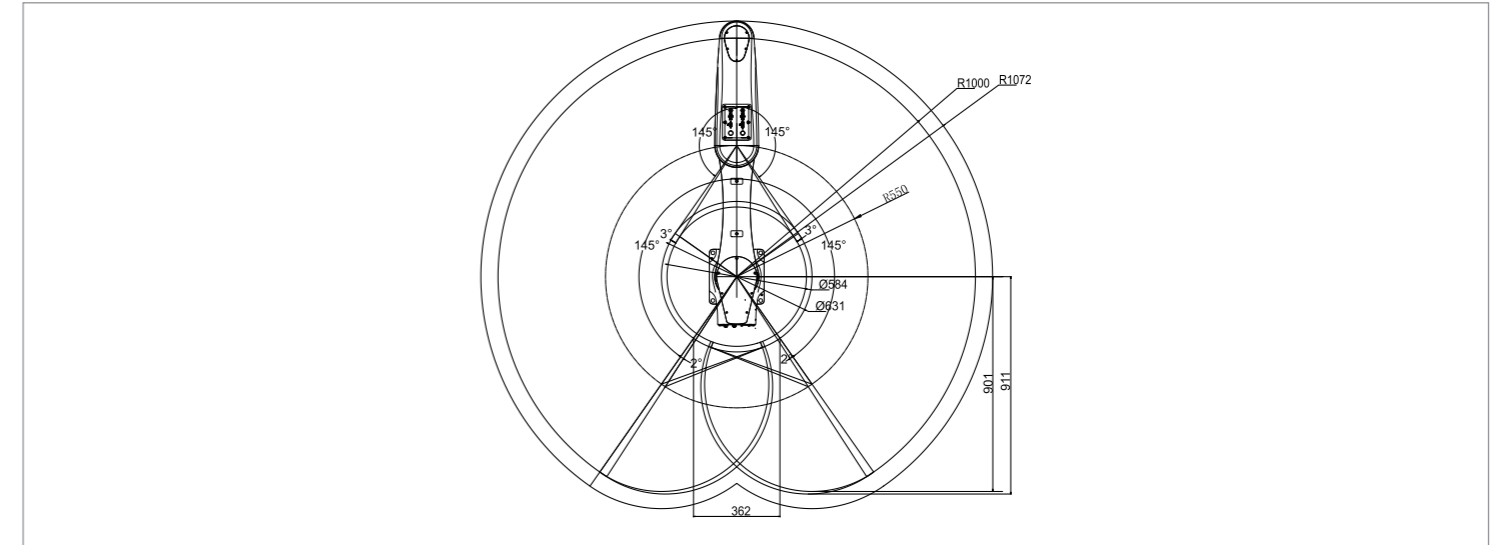
- **Highlights**
 1. High rhythm and high precision
The fastest standard cycle time can reach 0.371 s, and the robot positioning accuracy can reach 0.025 mm.
 2. High rigidity and low vibration
Robot body mode and rigidity enhancement, combined with vibration suppression and active vibration suppression functions, effectively reduce vibration.
 3. Easy to maintain and scalable
The detachable structure of cables and batteries allows for the replacement of robots inside the device.
- **Applications**
It can be used in handling, sorting, assembly, etc.
- **Industries**
Suitable for industries such as electronic manufacturing, lithium batteries, automotive electronics, and photovoltaics.



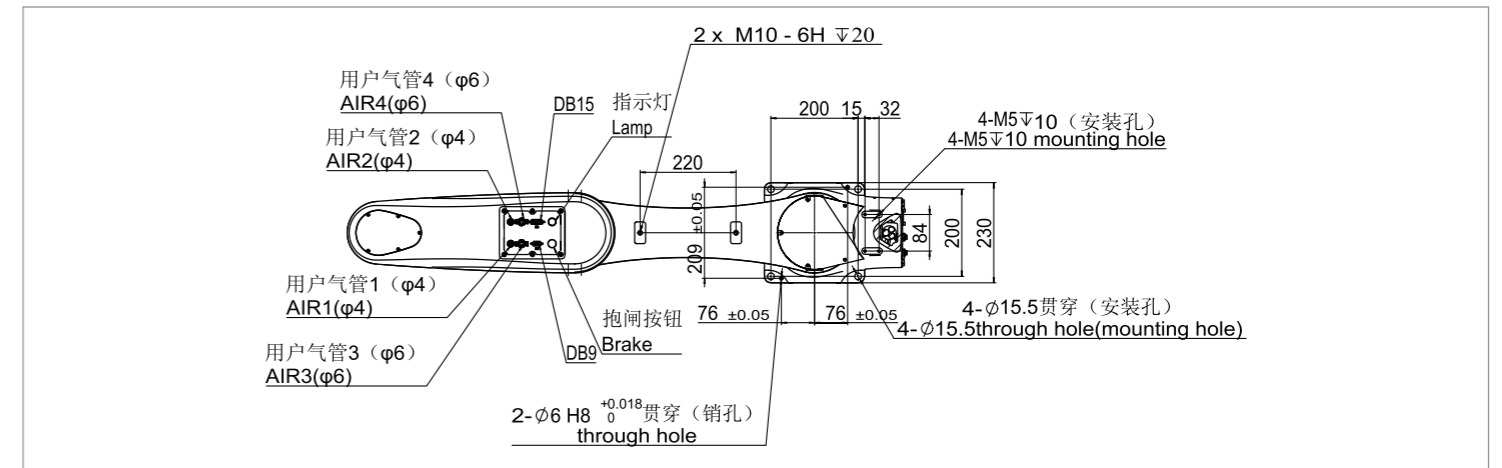
SPECIFICATIONS

Model		ESR20-1000Z42
Reach		1000 mm
Max. payload on wrist	Rated	10 kg
	Maximum	20 kg
Robot weight		70 kg
Maximum speed	J1+J2	10800 mm/sec
	J3	1800 mm/sec
	J4	705°/sec
Motion range	J1	±145°
	J2	±145°
	J3	420 mm
	J4	±360°
Repeatability	J1+J2	±0.025 mm
	J3	±0.01 mm
	J4	±0.01°
Standard cycle time		0.371 s
J4 allowable moment of inertia	Rated	0.5 kg·m ²
	Maximum	1 kg·m ²
Electric lines		D-Sub 9-Pin+15-Pin
Pneumatic lines		φ4 mmx2, φ6 mmx2
J3 downward force		250 N
Installation		Floor
Installation enviroment	Ambient temperature	5~40°C
	Ambient humidity	RH≤80% (No dew nor frost allowed)

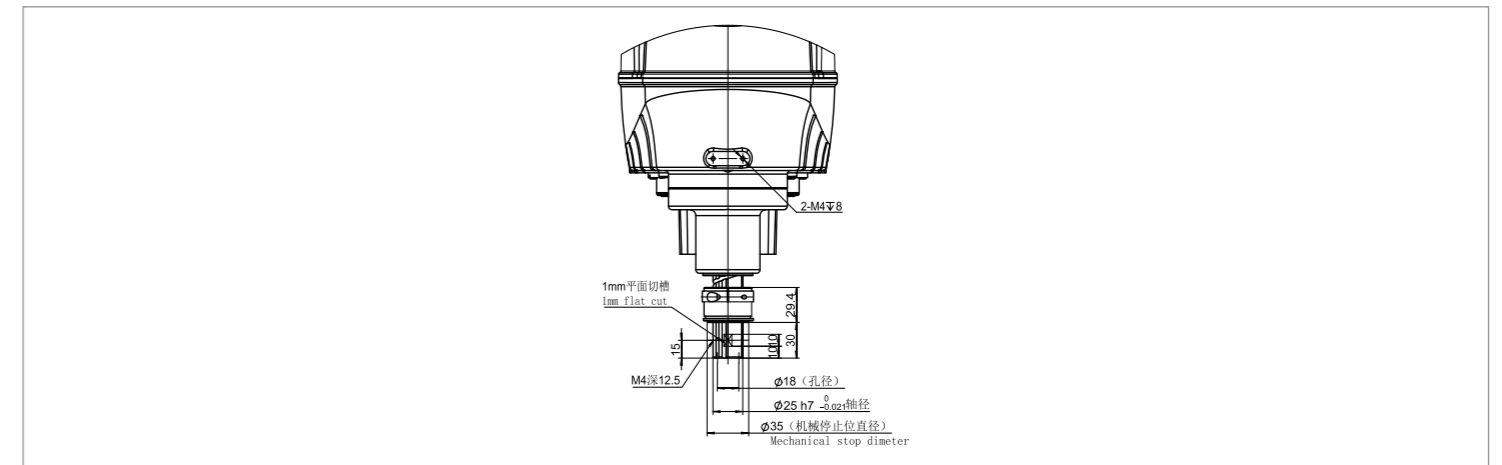
OPERATING SPACE



BASE MOUNTING SIZE



END FLANGE MOUNTING SIZE



Information Release Time 2025/01

PHONE: (00 86) 400-052-8877
 ADDRESS: No.96 East Wanchun Road, China(Anhui) Pilot
 Free Trade Zone Wuhu Area, Wuhu, Anhui Province, China
 WWW.EFORT.COM.CN

EFORT Intelligent Equipment Co., Ltd.