

ER230-3100

EFORT

ER230-3100,
Maxium payload 230 kg with maxium reach 3098 mm.

Highlights

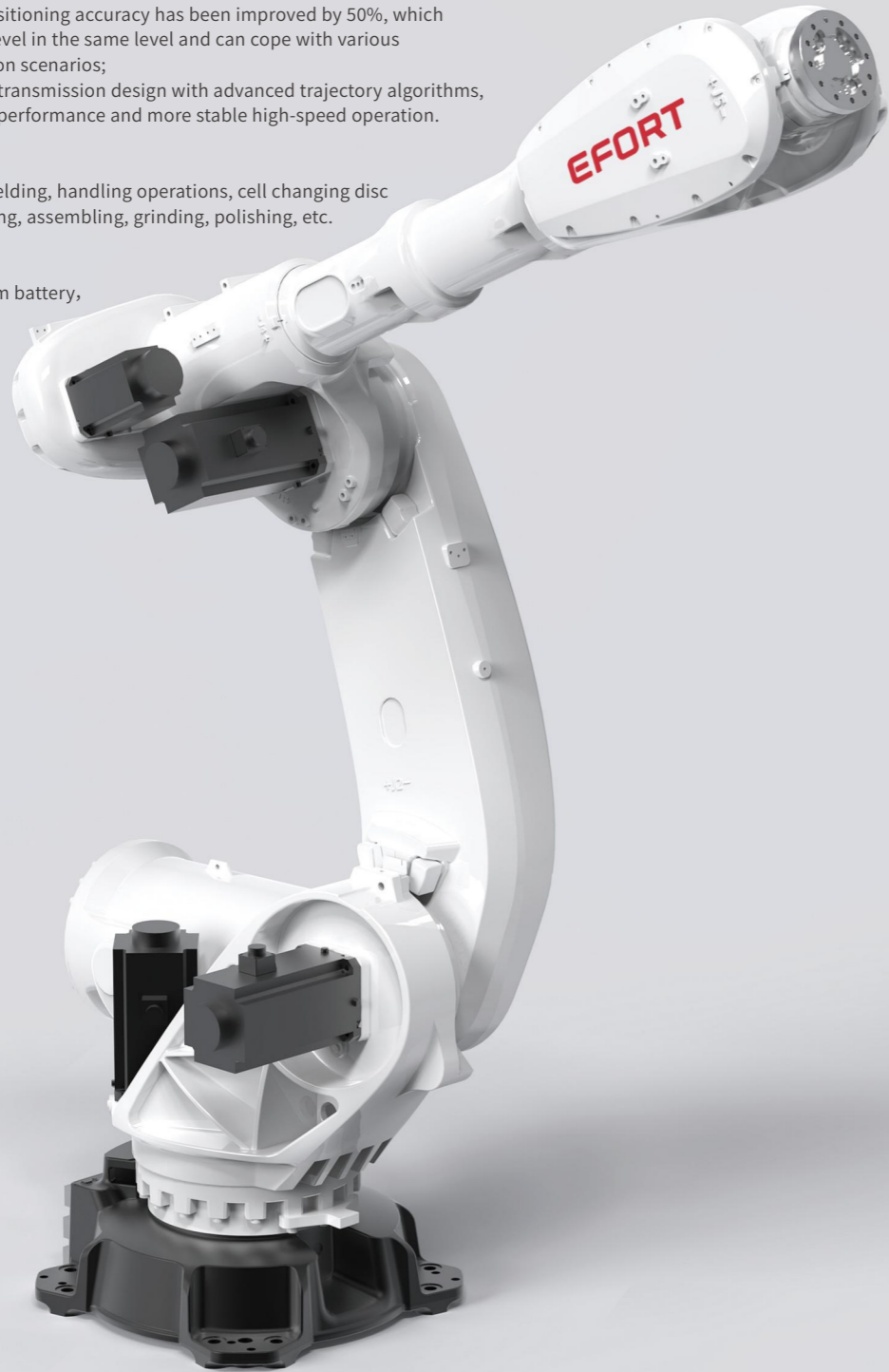
A brand new heavy-duty platform product, with all shafts connected by rigid gears, providing superior torque performance for the robot wrist; The robot's repeated positioning accuracy has been improved by 50%, which belongs to the leading level in the same level and can cope with various high-precision application scenarios; Combining high rigidity transmission design with advanced trajectory algorithms, it has stronger dynamic performance and more stable high-speed operation.

Applications

It can be used in Spot welding, handling operations, cell changing disc and group disc, palletizing, assembling, grinding, polishing, etc.

Industries

Suitable for auto, Lithium battery, photovoltaic, food and beverage, building materials, logistics and warehousing and other industries.

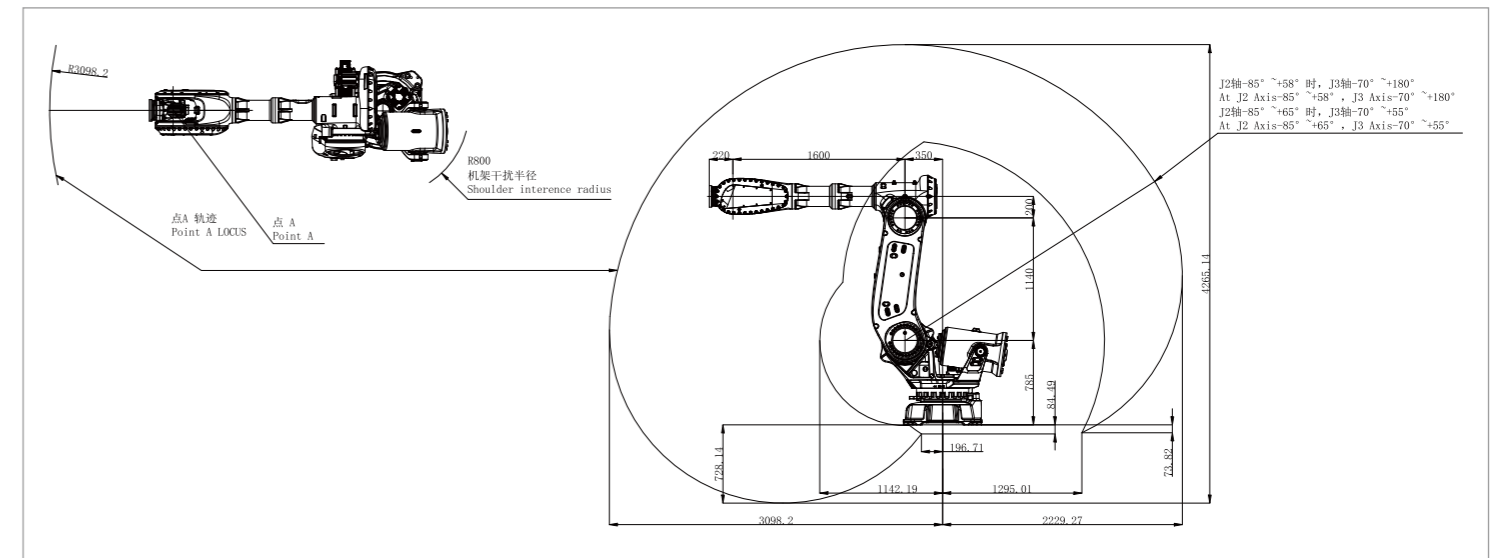


SPECIFICATIONS

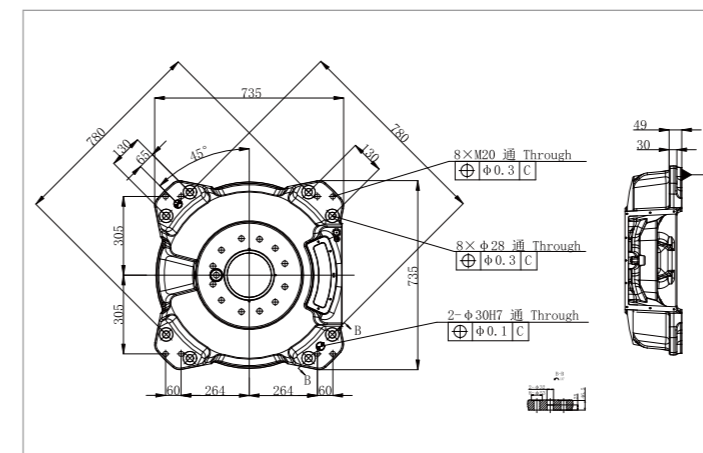
Model		ER230-3100
Type		Articulated
Controlled axes		6 Axes
Max. payload on wrist		230 kg
Repeatability		±0.05 mm
Robot weight		1600 kg
Reach		3098 mm
Robot IP grade		IP65
Cabinet IP grade		IP54
Drive mode		AC servo drive
Installation		Floor
Installation enviroment	Ambient temperature	0~45 °C
	Ambient humidity	RH≤80% (No dew nor frost allowed)
	Vibration acceleration	4.9 m/s ² (<0.5 G)

Allowable load moment at wrist	J4	1830 N·m
	J5	1830 N·m
	J6	900 N·m
Allowable load inertia at wrist	J4	325 kg·m ²
	J5	325 kg·m ²
	J6	230 kg·m ²
Maximum speed	J1	105°/sec
	J2	100°/sec
	J3	110°/sec
	J4	140°/sec
	J5	110°/sec
	J6	180°/sec
Motion range	J1	±185°
	J2	+65°-85°
	J3	+180°-70°
	J4	±360°
	J5	±130°
	J6	±360°

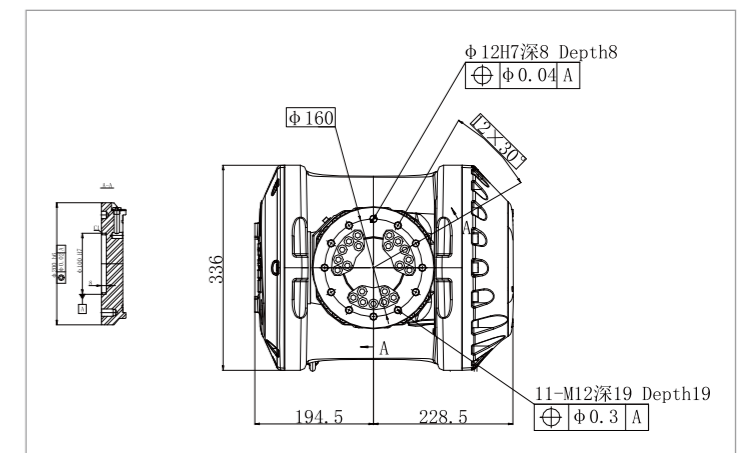
OPERATING SPACE



BASE MOUNTING SIZE



END FLANGE MOUNTING SIZE



EFORT Intelligent Equipment Co., Ltd.
PHONE: (00 86) 400-052-8877
ADDRESS: No.96 East Wanchun Road, China(Anhui) Pilot
Free Trade Zone Wuhu Area, Wuhu, Anhui Province, China
WWW.EFORT.COM.CN