

# ER50-2100

**EFORT**

**ER50-2100,**  
Maxium payload 50 kg with maxium reach 2146 mm.

## ■ Highlights

Thanks to the high stiffness structure, with high-speed intelligent palletizing application software, the takt is improved by 20%, bring customers more efficiency;  
Multiple specific application software could be integrated, with soft PLC and a variety of field bus interface, which enable customers easily face various application challenges;  
High performance collision detection function helps safety realization.

## ■ Applications

It can be used in grinding, polishing, handling operations, palletizing, etc.

## ■ Industries

Suitable for auto parts, photovoltaic, food and beverage, building materials, logistics and warehousing and other industries.

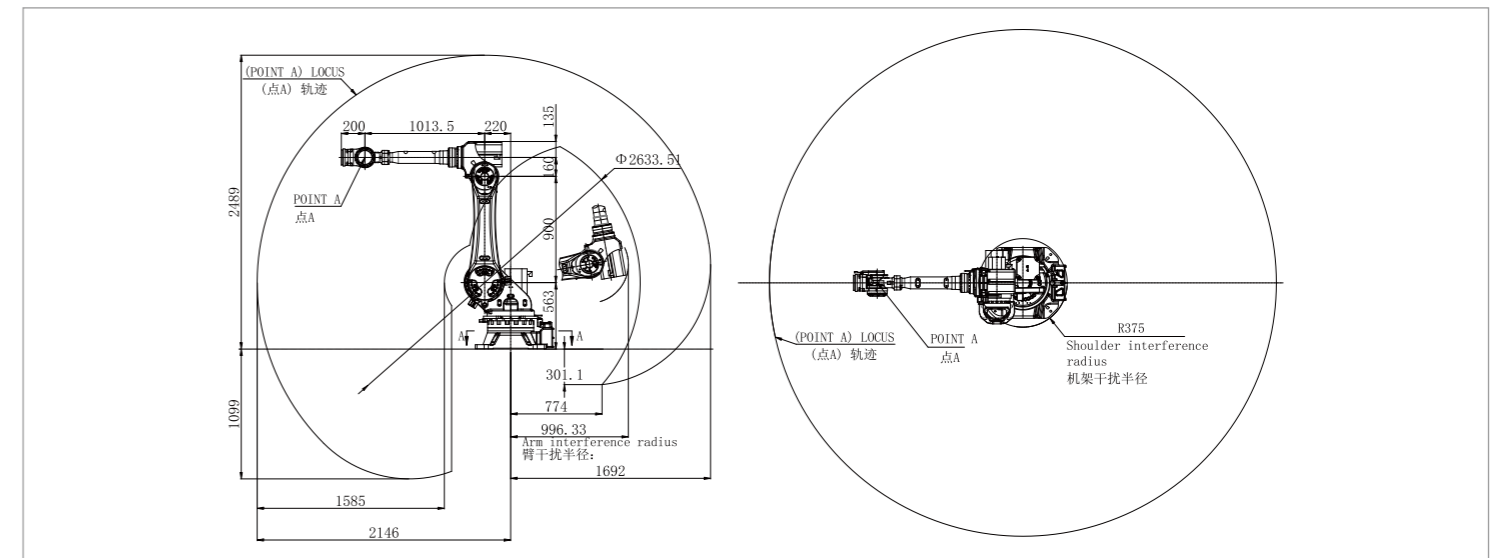


## SPECIFICATIONS

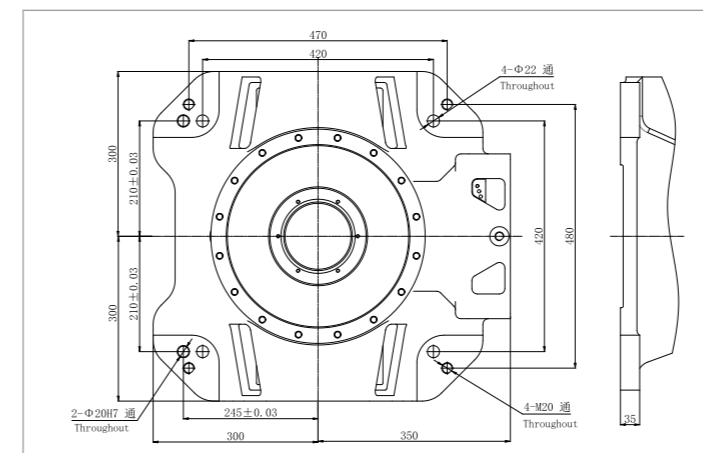
<b>Model</b>	ER50-2100	
<b>Type</b>	Articulated	
<b>Controlled axes</b>	6 Axes	
<b>Max. payload on wrist</b>	50 kg	
<b>Repeatability</b>	±0.06 mm	
<b>Robot weight</b>	550 kg	
<b>Reach</b>	2146 mm	
<b>Robot IP grade</b>	IP54/IP67 (Wrist)	
<b>Cabinet IP grade</b>	IP54	
<b>Drive mode</b>	AC servo drive	
<b>Installation</b>	Floor	
<b>Installation enviroment</b>	<b>Ambient temperature</b>	0~45 °C
	<b>Ambient humidity</b>	RH≤80% (No dew nor frost allowed)
	<b>Vibration acceleration</b>	4.9 m/s <sup>2</sup> (<0.5 G)

<b>Allowable load moment at wrist</b>	<b>J4</b>	182 N·m
	<b>J5</b>	182 N·m
	<b>J6</b>	120 N·m
<b>Allowable load inertia at wrist</b>	<b>J4</b>	12.68 kg·m <sup>2</sup>
	<b>J5</b>	12.68 kg·m <sup>2</sup>
	<b>J6</b>	10 kg·m <sup>2</sup>
<b>Maximum speed</b>	<b>J1</b>	170°/sec
	<b>J2</b>	170°/sec
	<b>J3</b>	170°/sec
	<b>J4</b>	270°/sec
	<b>J5</b>	270°/sec
	<b>J6</b>	365°/sec
<b>Motion range</b>	<b>J1</b>	±180°
	<b>J2</b>	+70°/-130°
	<b>J3</b>	+175°/-80°
	<b>J4</b>	±360°
	<b>J5</b>	±115°
	<b>J6</b>	±450°

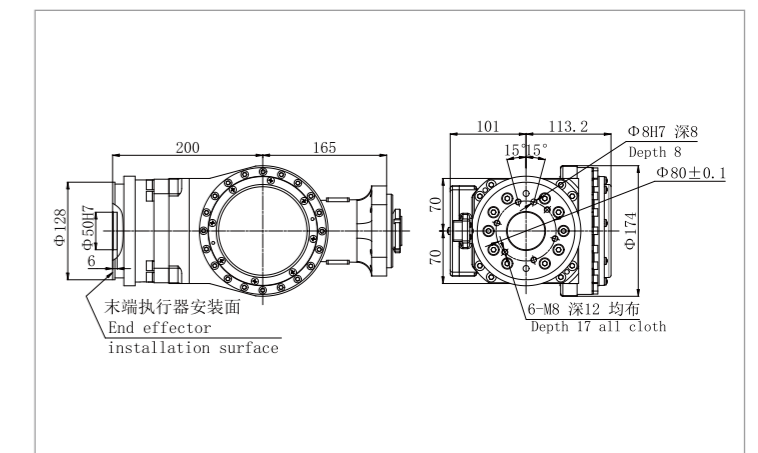
## OPERATING SPACE



## BASE MOUNTING SIZE



## END FLANGE MOUNTING SIZE



**EFORT Intelligent Equipment Co., Ltd.**

PHONE: (00 86) 400-052-8877

ADDRESS: No.96 East Wanchun Road, China(Anhui) Pilot Free Trade Zone Wuhu Area, Wuhu, Anhui Province, China

WWW.EFORT.COM.CN