

# ER6-2000

EFORT

ER6-2000,  
Maximum payload 6 kg with maximum reach 2010 mm.

## Highlights

A comprehensive arc welding process software can be integrated to meet the requirements of automatic welding in various scenarios; Special design of robot fore arm, helps customers easily handle complex surface objects, such as painting of sanitary ware and welding of steel structure.

## Applications

It can be used in handling, painting, machine tending, arc welding, etc.

## Industries

Suitable for ceramics, plastic, metal parts, education and other industries.



EFORT Intelligent Equipment Co., Ltd.

PHONE: (00 86) 400-052-8877

ADDRESS: No.96 East Wanchun Road, China(Anhui) Pilot

Free Trade Zone Wuhu Area, Wuhu, Anhui Province, China

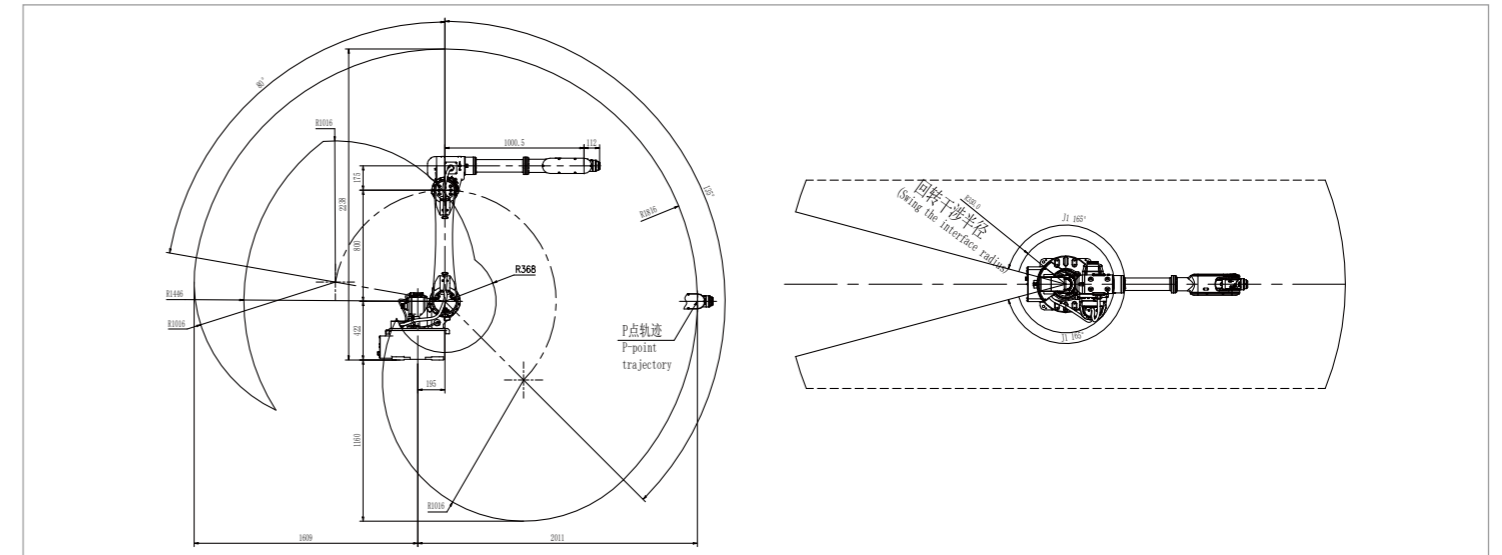
WWW.EFORT.COM.CN

## SPECIFICATIONS

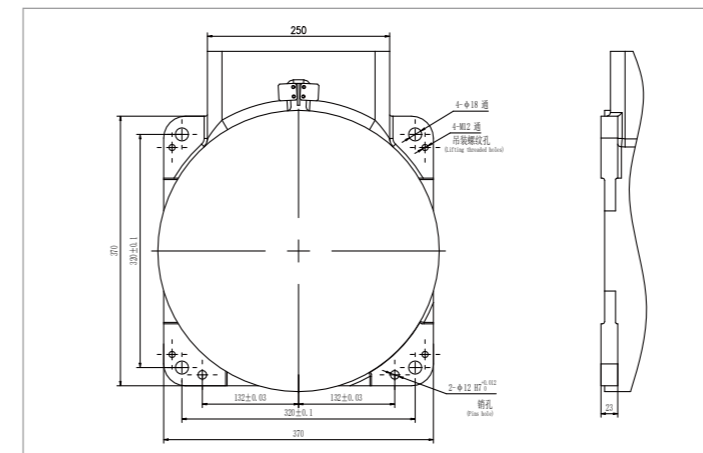
Model	ER6-2000	
Type	Articulated	
Controlled axes	6 Axes	
Max. payload on wrist	6 kg	
Repeatability	±0.05 mm	
Robot weight	195 kg	
Reach	2010 mm	
Robot IP grade	IP54 / IP67 (Wrist)	
Cabinet IP grade	IP54	
Drive mode	AC servo drive	
Installation	Floor, Upside-down, Wall, Angle	
Installation environment	Ambient temperature	0~45 °C
	Ambient humidity	RH≤80% (No dew nor frost allowed)
	Vibration acceleration	4.9 m/s <sup>2</sup> (<0.5 G)

Allowable load moment at wrist	J4	12 N·m
	J5	12 N·m
	J6	6 N·m
Allowable load inertia at wrist	J4	0.4 kg·m <sup>2</sup>
	J5	0.4 kg·m <sup>2</sup>
	J6	0.2 kg·m <sup>2</sup>
Maximum speed	J1	160°/sec
	J2	160°/sec
	J3	160°/sec
	J4	300°/sec
	J5	300°/sec
	J6	500°/sec
Motion range	J1	±165°
	J2	+80°-135°
	J3	+155°-81°
	J4	±180°
	J5	±130°
	J6	±360°

## OPERATING SPACE



## BASE MOUNTING SIZE



## END FLANGE MOUNTING SIZE

