

ER10-3-900

EFORT

ER10-3-900,
Maxium payload 10 kg with maxium reach 860 mm.

■ **Highlights**

High inertia design of the robot wrist greatly improves the stability in high-speed movement. It plus advanced kinematic algorithms. helps the takt improved by 25%; Thanks to industry-leading joint seal construction and oil leakage prevention design, the robot can help customers easily face various scenarios with high cleanliness requirements.

■ **Applications**

It can be used in handling operations.

■ **Industries**

Suitable for PCB, electronic manufacturing, plastic, metal parts, and other industries.

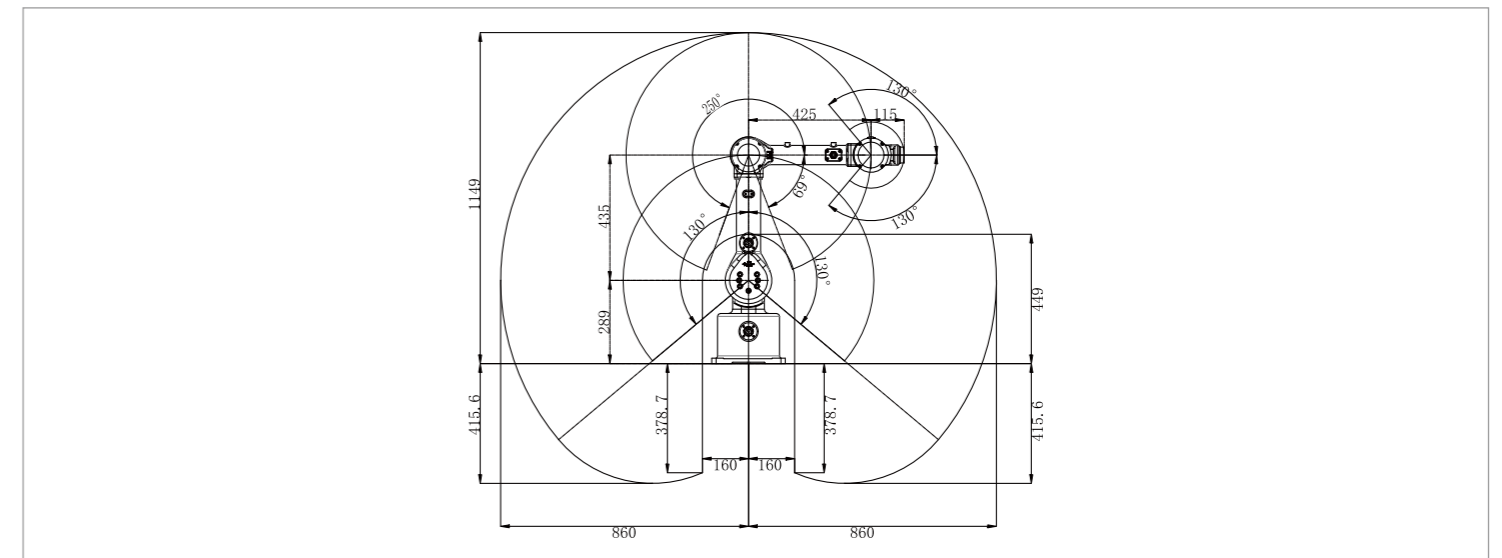


SPECIFICATIONS

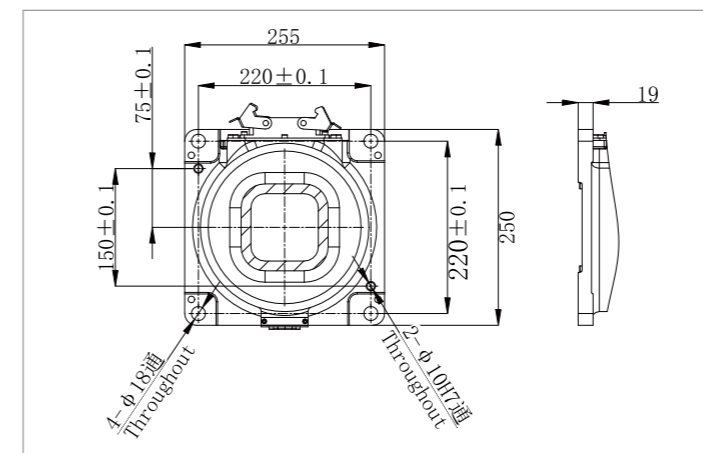
Model	ER10-3-900
Type	Articulated
Controlled axes	3 Axes
Max. payload on wrist	10 kg
Repeatability	±0.05 mm
Robot weight	30 kg
Reach	860 mm
Robot IP grade	IP54
Cabinet IP grade	IP20
Drive mode	AC servo drive
Installation	Upside-down

Installation enviroment	Ambient temperature	0~45 °C
	Ambient humidity	RH≤80% (No dew nor frost allowed)
	Vibration acceleration	4.9 m/s ² (<0.5 G)
Allowable load moment at wrist	J3	20 N·m
Allowable load inertia at wrist	J3	1.5 kg·m ²
Maximum speed	J1	300°/sec
	J2	320°/sec
	J3	380°/sec
Motion range	J1	±130°
	J2	+250°/-69°
	J3	±130°

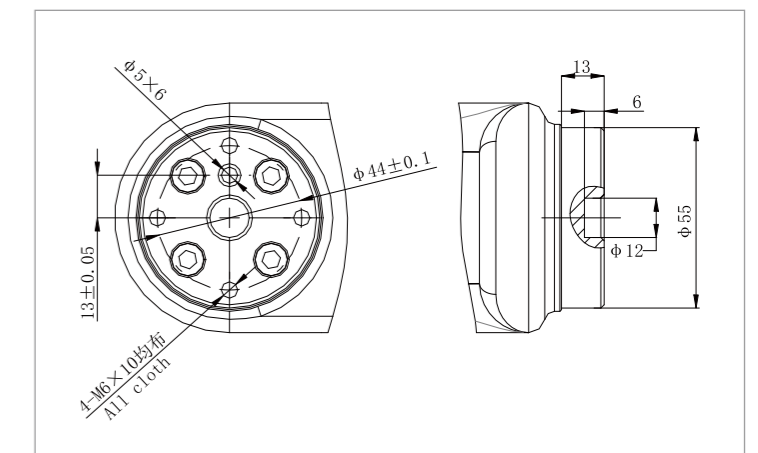
OPERATING SPACE



BASE MOUNTING SIZE



END FLANGE MOUNTING SIZE



EFORT Intelligent Equipment Co., Ltd.
PHONE: (00 86) 400-052-8877
ADDRESS: No.96 East Wanchun Road, China(Anhui) Pilot Free Trade Zone Wuhu Area, Wuhu, Anhui Province, China
WWW.EFORT.COM.CN