

GR630-1900

EFORT

Maxium Reach:1929 mm /
Lemma Wrist / Max Payload:3 kg

Highlights

Self-teaching function with user friendly interface;
Lemma wrist, no singularity in the front, especially suitable for painting for in-the-front workpiece;
Painting application software is default in robot, with online tracking function, and aux axis integration possibility;
ATEX explosion-proof certification of China and EU, can be used in Zone 1 gas and Zone 21 dust dangerous operation environment;
Especially suitable for hardware parts, furniture, 3C plastic parts and other irregular shape parts.

Applications

Self-teaching function supported. Specially designed for small irregular shape parts painting: such as motor, reducer, water pump, valve, single cylinder engine, chair, nightstand, electric car, bicycle, motorcycle parts.

Industries

Suitable for metal parts, auto parts, furniture, motorcycle parts and other industries.



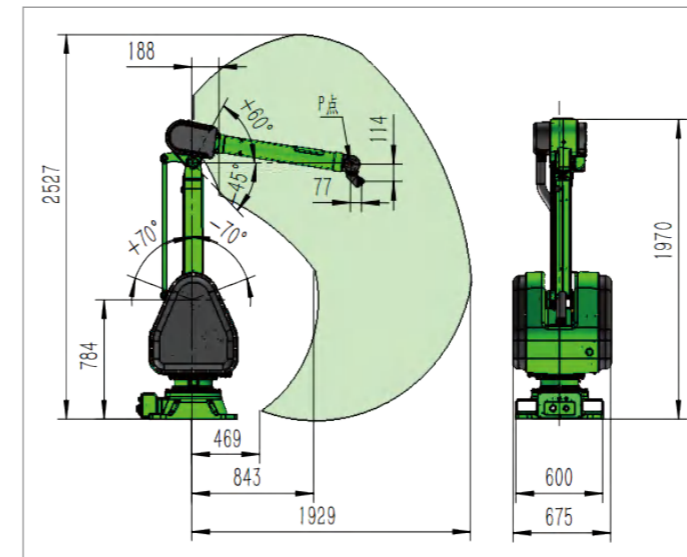
EFORT INTELLIGENT EQUIPMENT CO.,LTD.

PHONE: (00 86) 400-052-8877
ADDRESS: No.96 East Wanchun Road, China(Anhui) Pilot
Free Trade Zone Wuhu Area, Wuhu, Anhui Province, China
WWW.EFORT.COM.CN

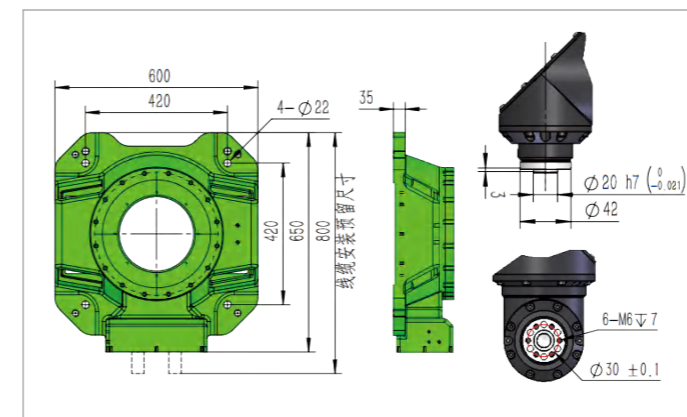
SPECIFICATIONS

Max. Payload on Wrist		3 kg	
Reach		1929 mm	
Repeatability		±1 mm	
Motion Range & Maximum Speed		Motion Range	Maximum Speed
	J1	±120°	120°/sec
	J2	±70°	120°/sec
	J3	+60°/-45°	120°/sec
	J4	±360°	540°/sec
	J5	±360°	540°/sec
Allowable Load Moment at Wrist	J4	9.8 N·m	
	J5	8.4 N·m	
	J6	3 N·m	
Allowable Load Inertia at Wrist	J4	0.12 kg·m ²	
	J5	0.08 kg·m ²	
	J6	0.02 kg·m ²	

OPERATING SPACE



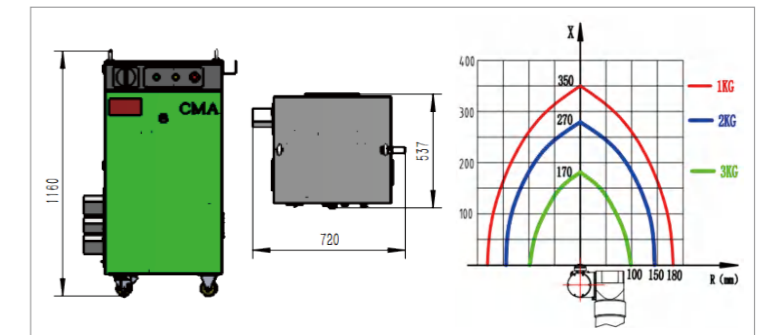
BASE& END FLANGE MOUNTING SIZE



GR-Series Painting Robot

Structure		6-Axis Series Structure
Installation		Floor, Upside-down
Safety Level		EN ISO13849 PLd
IP Grade	Robot	IP 65
	Cabinet	IP 52
Explosion-Proof	China	Ex ib mb px IIC T4 Gb
	ATEX-Gas	II 2G Ex pxb IIC T4 Gb
	ATEX-Dust	II 2D Ex pxb IIIC T135°C Db
Environment Requirements	Voltage	AC380V(±10%)
	Power Capacity	4.0 kVA
	Temperature	0-45 °C
	Humidity	20-80RH (No Condensation)
Arm Payload	Outer Arm	3 kg
	Inner Arm	3 kg
Weight	Robot	400 kg
	Cabinet	90 kg

CONTROL CABINET SIZE&WRIST END LOAD MAP



SELECTION&CONFIGURATION TABLE

Item	Standard	Optional	
Driver	6 Axes	6+1 Axes	
Connector Cable	Static	Static	Flexible
	8 m	Max:16 m	
Pendant	10 m	Max:20 m	
DI/DO	16/16	Customized	
Safety DI/DO	8/4	Customized	
AI/AO	/	Customized	
Communication Mode	ProfiNet	EtherCAT	
Memory Capacity	512 Mb	/	
Connector	USB/TCPIP	/	
Software Package	Painting Package	Visual Programming	
Program Mode	Pendant	/	
Color	RAL6018	Customized	